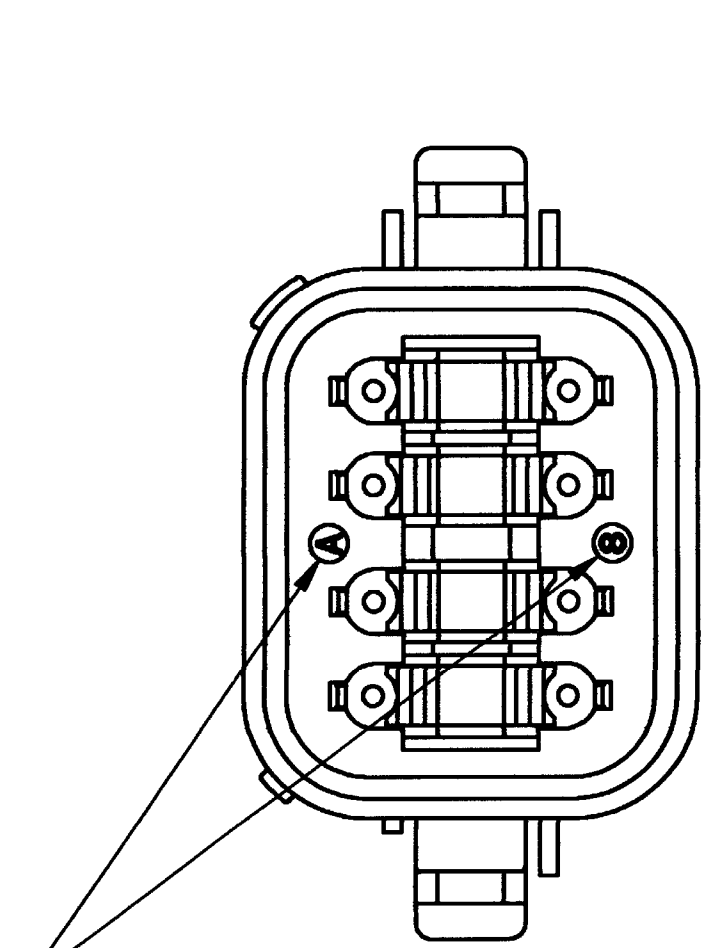
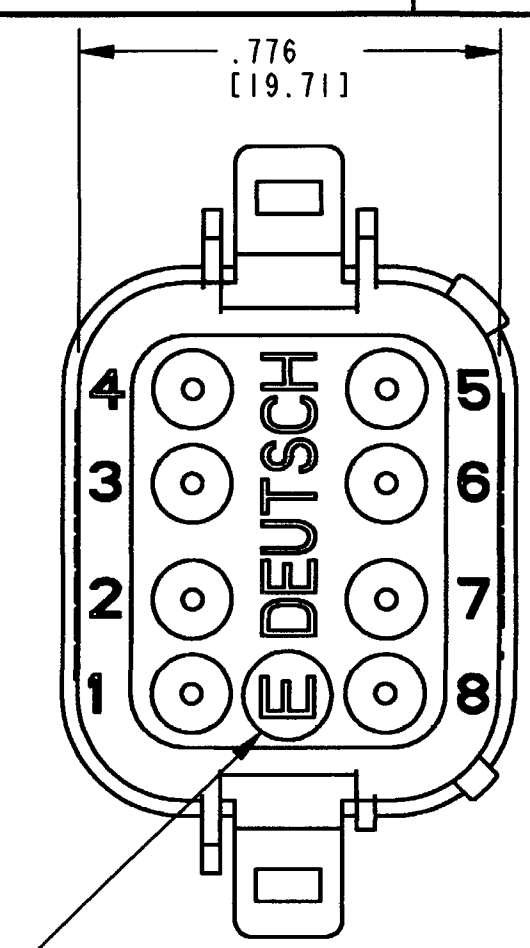
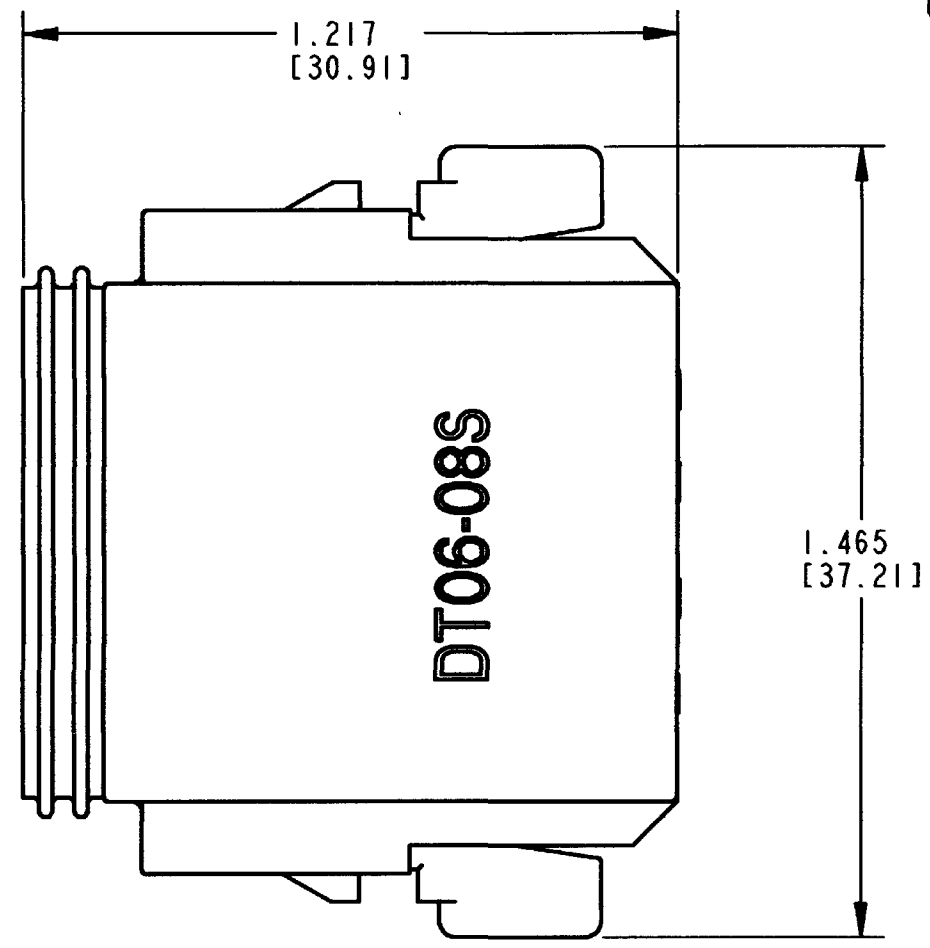


REV
NC DT06-08S*-C015

REVISIONS			
SYM	DESCRIPTION	DATE	APPROVED
NC	REDRAWN / REPLACES PREVIOUS		
	RELEASE PER E.O. P19917	6-25-08	RDR



DATE CODE: MONTH IS REPRESENTED BY SEQUENTIAL ALPHA CHARACTERS. EX: A = JANUARY
YEAR IS REPRESENTED BY LAST NUMERICAL DIGIT
EX: 8 = 2008



E- SYMBOL DESIGNATES REDUCED WIRE DIAMETER

CONTACT SIZE	MIN. INSUL. O.D.	MAX. INSUL. O.D.	WIRE RANGE [mm ²] REF ONLY
16	.053 [1.35]	.120 [3.05]	14-20 AWG [2.0-0.5]

- 5. MATERIAL - SHELL: PLASTIC; SEAL: RUBBER
- 4. THIS PLUG MATES WITH DT04-08P*-**** RECEPTACLE (* = A,B,C,D KEYS; **** = ALL MODIFICATIONS) CONSULT FACTORY FOR MODIFICATIONS.
- 3. FOR CONTACTS AND WIRE PERFORMANCE AND APPLICATION CHARACTERISTICS SEE ENVELOPE DRAWINGS 0425-015-0000 AND 0425-017-0000.
- 2. DIMENSIONS ARE ±.025 [0.63] UNLESS OTHERWISE SPECIFIED.

NOTES: 1. DIMENSIONS ARE IN INCHES [MILLIMETERS].

SIGNATURE & DATE	
DR	R. MESSENGER 6/18/08
CHK	R. Whitacre 6/25/08
PE	R. Messenger 6/25/08
APPD	6/25/08
SCALE	NONE WT

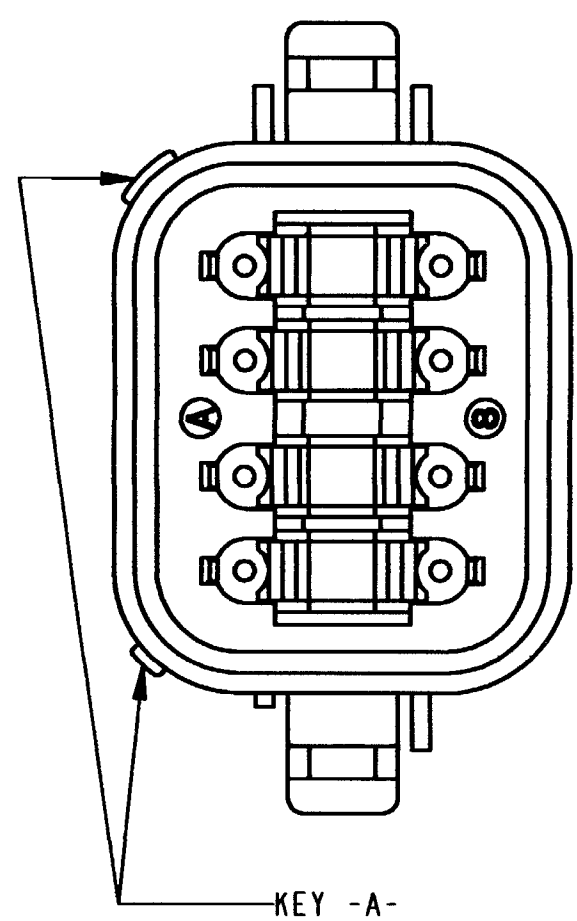
8 WAY PLUG
E SEAL
DT SERIES

ENVELOPE

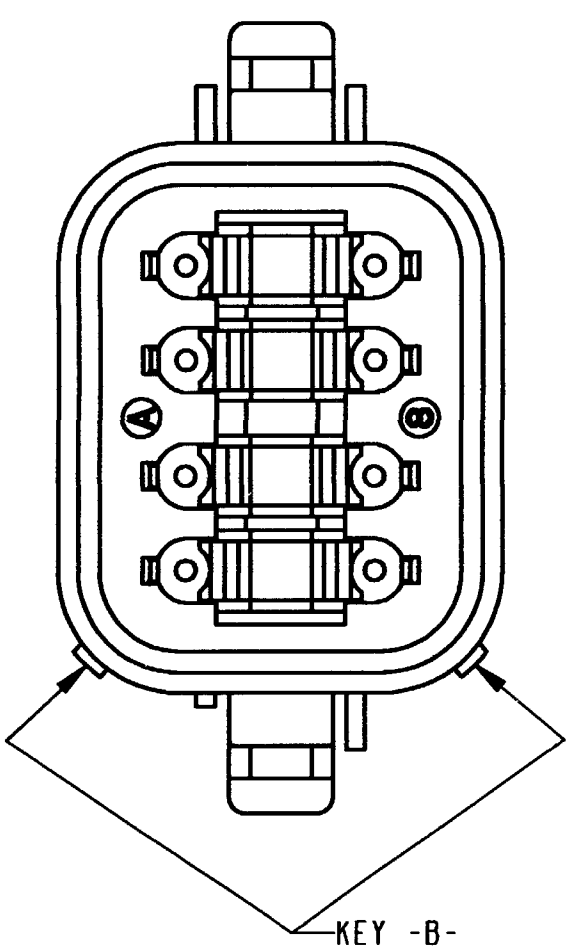
EP	MATL. CODE
3850 INDUSTRIAL AVE. HEMET, CA 92545	
B DT06-08S*-C015	
DWG SIZE	CODE 11139 SHEET 1 OF 2

REV	DT06-08S*-C015	REVISIONS		
NC	SYM	DESCRIPTION	DATE	APPROVED
	NC	SEE SHEET 1	6-25-08	RBR

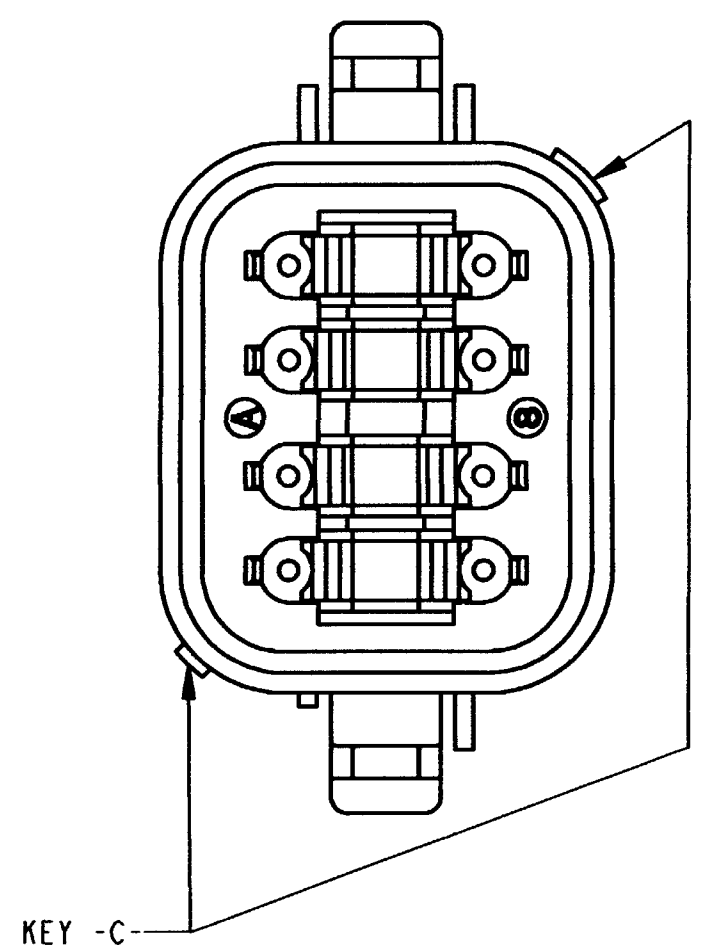
DT06-08SA-C015
COLOR: GRAY



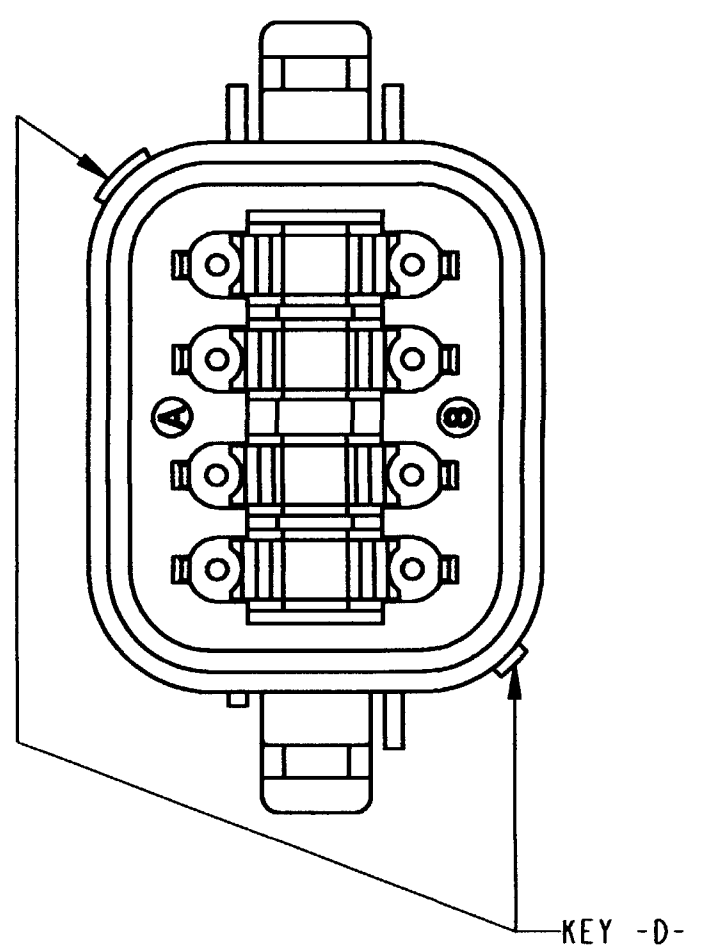
DT06-08SB-C015
COLOR: BLACK



DT06-08SC-C015
COLOR: GREEN



DT06-08SD-C015
COLOR: BROWN



NOTES:

SIGNATURE & DATE	
DR	R. MESSENGER 6/18/08
CHK	R. Whitson 6/25/08
PE	R. Messenger 6/25/08
APPD	S. Beard 6-25-08
SCALE	NONE WT

8 WAY PLUG
E SEAL
DT SERIES

ENVELOPE

EP	MATL. CODE
3850 INDUSTRIAL AVE. HEMET, CA 92545	
B DT06-08S*-C015	
DWG SIZE	SHEET 2 OF 2